

FLIR **FIREFLY[®] MV**

USB 2.0 OR 1394A

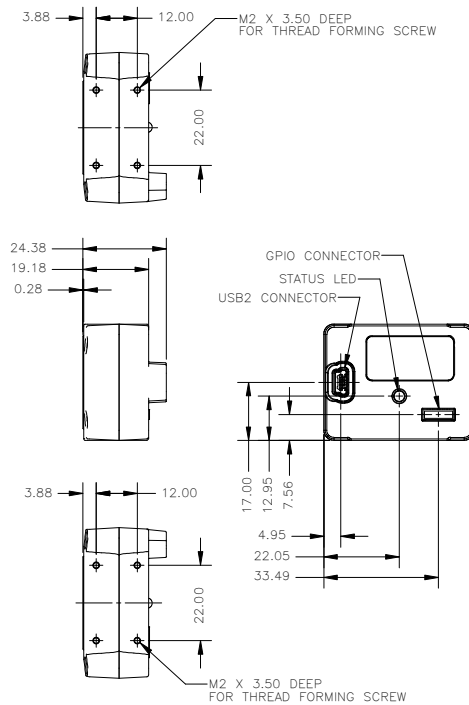
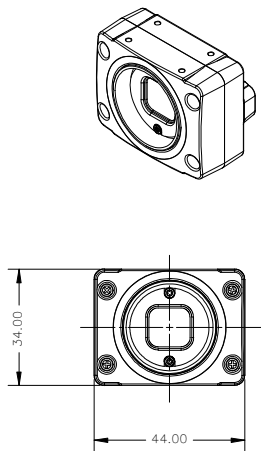


SMALL + INEXPENSIVE + USB OR 1394

The Firefly MV line offers a total of 14 different combinations of form factor and interface that are designed to address a wide variety of applications in industrial and non-industrial imaging, such as object and gesture tracking, optical character recognition (OCR), augmented reality, and multitouch interface technology.

KEY FEATURES

- 14 different combinations of form factor and interface
- USB 2.0 or 1394a digital interface
- Ultra compact at 44 x 34 x 24.4 mm



Specifications - 1394a models

MODEL	VERSION	MP	IMAGING SENSOR
FMVU-03MTC-CS	Color	0.3 MP	<ul style="list-style-type: none"> ■ Micron MT9V022 CMOS, 1/3", 6.0 μm ■ Global Shutter ■ 752x480 at 60 FPS
FMVU-03MTM-CS	Mono		
FMVU-13S2C-CS	Color	1.3 MP	<ul style="list-style-type: none"> ■ Sony IMX035 CMOS, 1/3", 3.63 μm ■ Rolling Shutter ■ 1328x1048 at 23 FPS
A/D Converter	On chip 10-bit/12-bit		
Image Data Output	8, 16-bit digital data		
Image Data Formats	Y8, Y16 (mono), 8-bit and 16-bit raw Bayer data (color)		
Partial Image Modes	Pixel binning and region of interest (ROI) modes		
Image Processing	Gamma, lookup table, hue, saturation, and sharpness		
Gain	Automatic/Manual Gain modes 0 dB to 12 dB (FMVU-03MT)/0 dB to 24 dB (FMVU-13S2)		
Gamma	0 to 1 (FMVU-03MT)/0.50 to 4.00 (FMVU-13S2)		
White Balance	Automatic/manual modes, programmable via software		
Color Processing	On-camera in YUV or RGB format, or on-PC in Raw format		
Digital Interface	5-pin Mini-B USB2.0 for camera control, video data, and power		
Transfer Rates	480 Mb/s		
GPIO	7-pin JST GPIO connector, 4 pins for trigger and strobe, 1 pin +3.3 V, 1 VEXT pin for external power		
External Trigger Modes	IIDC Trigger Modes 0, and 3		
Synchronization	Via external trigger		
Shutter	Global Shutter (FMVU-03MT)/Rolling Shutter (FMVU-13S2) Automatic/Manual modes 0.12 ms to 512 ms (FMVU-03MT)/0.03 ms to 8000 ms (FMVU-13S2)		
Memory Channels	2 memory channels for custom camera settings		
Flash Memory	N/A		
Dimensions	24.4 x 44 x 34 mm (excluding lens holder and connectors)		
Mass	37 g (without optics or tripod mounting bracket)		
Power Consumption	4.75 to 5.25 V via GPIO or USB 2.0 interface, less than 1 W		
Camera Specification	IIDC v1.31		
Camera Control	via FlyCapture SDK, CSRs, or third party software		
Camera Updates	In-field firmware updates		
Lens Mount	CS-mount		
Temperature	Operating: 0° to 45°C; Storage: -30° to 60°C		
Emissions Compliance	CE, FCC, RoHS		
Operating System	Windows XP SP1		
Warranty	One year		

FLIR Integrated Imaging Solutions

CANADA

12051 Riverside Way
Richmond, BC, Canada
V6W 1K7
T: +1 866.765.0827 (toll free)
T: +1 604.242.9937
F: +1 604.242.9938
E: mv-sales@flir.com
www.flir.com/iis

USA

T: +1 866.765.0827 (toll free)
E: mv-na-sales@ptgrey.com

EUROPE

T: +49 7141 488817-0
F: +49 7141 488817-99
E: mv-eusales@flir.com

CHINA

T: +86 10 8215 9938
F: +86 10 8215 9936
E: mv-chinasales@flir.com

ASIA

E: mv-asiasales@ptgrey.com

DISTRIBUTORS

JAPAN

ViewPLUS Inc. (www.viewplus.co.jp)

KOREA

CYLOD Co., Ltd. (www.cylod.com)

CHINA

LUSTER LightVision (www.lusterinc.com)

SINGAPORE, THAILAND, MALAYSIA

Voltrium Systems (www.voltrium.com.sg)

TAIWAN

Apo Star Co., Ltd. (www.apostar.com.tw)

UNITED KINGDOM AND IRELAND

ClearView Imaging (www.clearviewimaging.co.uk)

©2017 FLIR® Integrated Imaging Solutions Inc. All rights reserved.
Names and marks appearing on the products herein are either registered trademarks or trademarks of FLIR® Systems, Inc. and/or its subsidiaries.

Specifications - USB 2.0 models

MODEL	VERSION	MP	IMAGING SENSOR
FFMV-03M2C-CS	Color	0.3 MP	<ul style="list-style-type: none"> ■ Micron MT9V022 CMOS, 1/3", 6.0 μm ■ Global Shutter ■ 752x480 at 60 FPS
FFMV-03M2M-CS	Mono		
A/D Converter	On chip 10-bit		
Image Data Output	8, 16-bit digital data		
Image Data Formats	Y8, Y16 (mono), 8-bit and 16-bit raw Bayer data (color)		
Partial Image Modes	Pixel binning and region of interest (ROI) modes		
Image Processing	Gamma, lookup table, hue, saturation, and sharpness		
Gain	Automatic/Manual Gain modes 0 dB to 12 dB		
Gamma	0 to 1		
White Balance	Automatic/manual modes, programmable via software		
Color Processing	On-camera in YUV or RGB format, or on-PC in Raw format		
Digital Interface	6-pin IEEE 1394a for camera control, video data, and power		
Transfer Rates	400 Mb/s		
GPIO	7-pin JST GPIO connector, 4 pins for trigger and strobe, 1 pin +3.3 V, 1 VEXT pin for external power		
External Trigger Modes	IIDC Trigger Modes 0 and 3		
Synchronization	Via external trigger or software trigger (on same bus only), or free-running (using standard video formats/modes operating at 30 FPS and 60 FPS only)		
Shutter	Global Shutter Automatic/Manual/Extended Shutter modes 0.03 ms to 512 ms (extended shutter mode)		
Memory Channels	3 memory channels for custom camera settings		
Flash Memory	N/A		
Dimensions	44 x 34 x 24.4 mm (excluding lens holder and connectors)		
Mass	37 g (without optics or tripod mounting bracket)		
Power Consumption	8 to 30 V, 1 W at 12 V via 1394a interface		
Camera Specification	IIDC v1.31		
Camera Control	via FlyCapture SDK, CSRs, or third party software		
Camera Updates	In-field firmware updates		
Lens Mount	CS-mount		
Temperature	Operating: 0° to 40°C; Storage: -30° to 60°C		
Emissions Compliance	CE, FCC, RoHS		
Operating System	Windows XP SP1		
Warranty	One year		